

**CLB30 Portable Low Temperature Calibration Bath °F or °C**  
**CLB50 Portable High Temperature Calibration Bath °F or °C**

**FEATURES**

- Fast response time
- Attached handle and screw-top calibration tank lid make carrying easy and spill-free
- High Temperature stability up to  $\pm 0.03^{\circ}\text{C}$
- Lower Temperature uniformity of  $\pm 0.05^{\circ}\text{C}$
- Adjustable speed magnetic stirrer for easy control and good circulation
- Internal Pt100 sensor for reference temperature measurements
- Temperature chamber with basket for temperature sensors to be calibrated
- PID temperature controller
- Keyboard selection of set-point values alert / security and menu



**CLB30**

**SPECIFICATIONS**

	<b>CLB30C</b>	<b>CLB30F</b>	<b>CLB50F</b>	<b>CLB50C</b>
	Low Temp Celsius	Low Temp Fahrenheit	High Temp Celsius	High Temp Fahrenheit
Temperature Range:	-35° to 165°C <sup>1</sup>	-31° to 329°F <sup>1</sup>	30° to 225°C	86° to 437°F
Temperature Stability:	$\pm 0.03^{\circ}\text{C}$	$\pm 0.05^{\circ}\text{F}$	$\pm 0.03^{\circ}\text{C}$	$\pm 0.05^{\circ}\text{F}$
Temperature Uniformity:	$\pm 0.05^{\circ}\text{C}$	$\pm 0.09^{\circ}\text{F}$	$\pm 0.05^{\circ}\text{C}$	$\pm 0.09^{\circ}\text{F}$
Screen Resolution:	0.1°C	0.1°F	0.1°C	0.1°F
Accuracy:	$\pm 0.3^{\circ}\text{C}$	$\pm 0.5^{\circ}\text{F}$	$\pm 0.3^{\circ}\text{C}$	$\pm 0.5^{\circ}\text{F}$
Heating Time:	-5° to 100°C: 25 min. 23° to 212°F: 25 min.		25° to 220°C: 42 min. 77° to 428°F: 42 min.	
Cooling Time:	25° to -25°C: 30 min. 77° to -13°F: 30 min.		220° to 100°C: 35 min. 428° to 212°F: 35 min.	
Immersion Depth:	190 mm / 7.48 inch			
Well Diameter:	60 mm / 2.36 inch			
Well Capacity:	0.7 liters			
Tank Dimensions:	60 x 190 mm / 2.36 x 7.48 in			
Dimensions W x D x H:	280 x 280 x 430 mm, 11.02 x 11.02 x 16.92 in. (with handle)			
Weight:	12.8 kg / 28.29 lbs.		11.4 kg / 25.13 lbs.	
Power Supply:	88 to 264 Vac, 45 to 65 Hz			
Power Consumption:	310 W MAX		320 W MAX	
Power Connection:	North American, optional European - Add E Suffix.			

**STANDARD CONTROLLER**

- CLB30F:** -31° to 329°F
- CLB30C:** -35° to +165°C
- CLB50F:** 86° to 437°F
- CLB50C:** 30° to +225°C

Palmer Wahl's line of portable calibration baths offer high performance in a portable package for on-site temperature calibrations. They are also well suited in the laboratory for demanding temperature calibration tasks.

All units feature a 60mm diameter calibration well with a 190mm depth. The adjustable magnetic stirrer is controlled by a front panel potentiometer giving the user easy control of the stirrer speed. This allows for good circulation within the bath's calibration well to achieve high performance with high stability and excellent uniformity.

**APPLICATIONS**

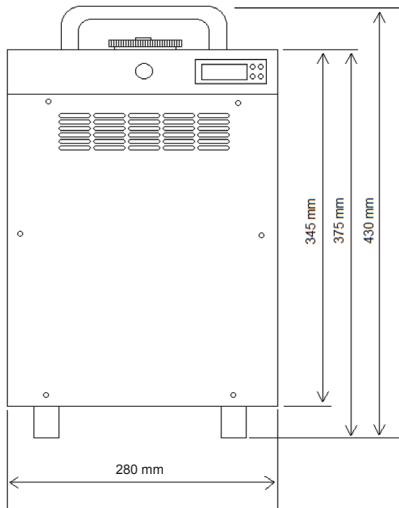
- Calibration Laboratories
- Testing Labs
- Universities / R&D
- Chemical / Pharmaceutical
- Food Industry

<sup>1</sup> Minimum Temperature is 52°C Below Ambient, Absolute Minimum -35°C

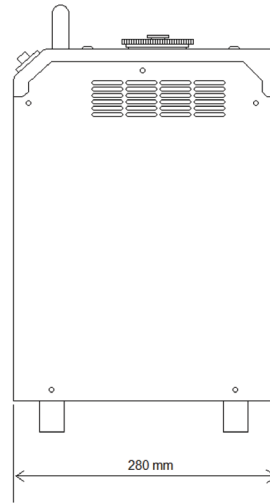
*Specifications subject to change without notice.*



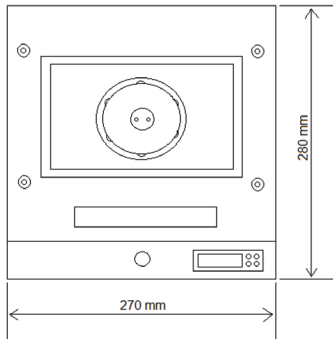
**CLB30 / CLB50 Front view**



**CLB30 / CLB50 Side view**



**CLB30 / CLB50 Upper view**



### INCLUDED IN DELIVERY

**CLB30F:** -31° to 329°F - Portable Low Temperature Calibration Bath (°F)

**CLB30C:** -35° to 165°C - Portable Low Temperature Calibration Bath (°C)

**CLB50F:** 86° to 437°F - Portable High Temperature Calibration Bath (°F)

**CLB50C:** 30° to 225°C - Portable High Temperature Calibration Bath (°C)

Stainless Steel Transport Cover

Sensor Basket

Magnetic Stirrer Capsule

Liquid Removal Syringe

Power Cord (1.5m) (North American plug is standard, European plug on "E" models)

Certificate of Conformance

User Manual (available online at [palmerwahl.com/downloads](http://palmerwahl.com/downloads))

### OPTIONAL ACCESSORIES

**12457-02** - Hermetic Methacrylate lid with 6 positions to hold probes, 1/8" G female thread, eliminates condensation in the oil and prevents entry and exit of vapors.

**12457-03** - Trolley transport case for CLB30/CLB50, with high density foam, wheels and handle

**12457-05** - Silicone Oil - 10cSt or 50cSt, 7 liters, -35° to 160°C (Recommended for CLB30/CLB31)

**12457-06** - Silicone Oil - 10cSt or 50cSt, 7 liters, 30° to 225°C (Recommended for CLB50/CLB51)